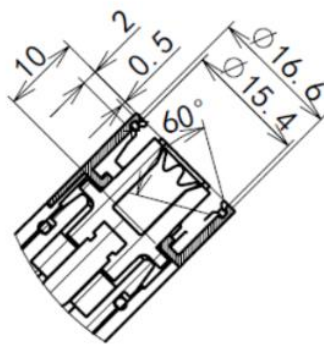
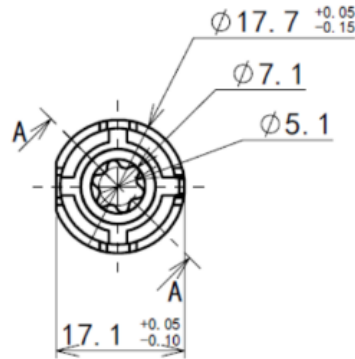
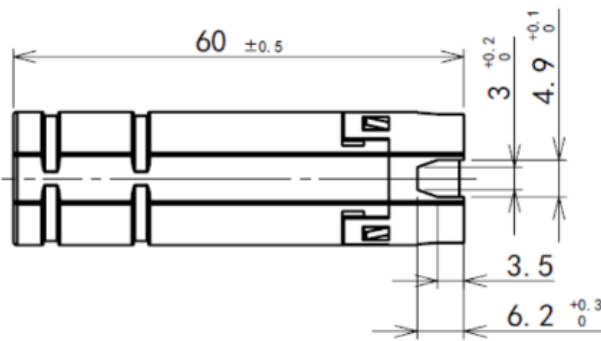




Patented Product

This damper is used into cars luggage covers but could be easily implemented in much more applications.



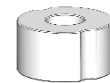
A-A



Lid



Outer Rotor



One Way System



O-ring



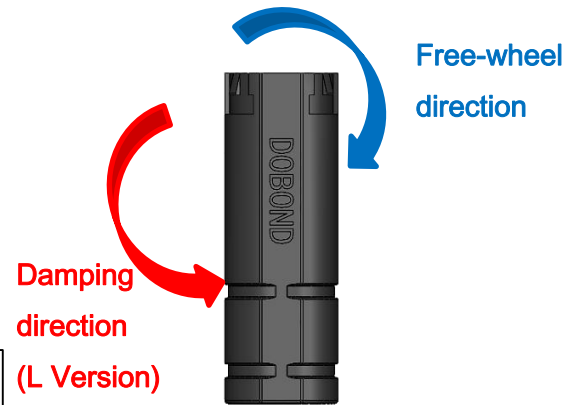
Inner Rotor



Housing

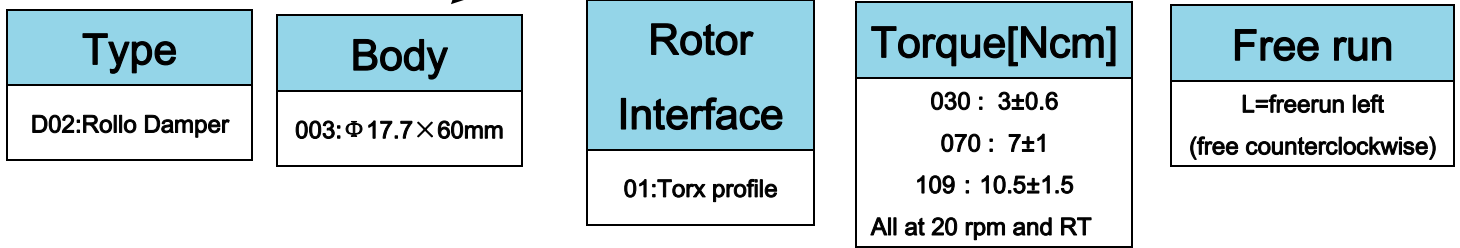
Working Conditions	
Operation Temperature	-20°C up to +90°C
Lifetime	15.000 cycles at RT 1.000 cycles at 90° C 1.000 cycles at -20°C 1 cycle = rotation 0° to 1080° (3 turns) at 400 rpm / pause 50" / - 1080° (3 turns) at 400 rpm / pause 3"
Torque	10.5± 3 Ncm @ 80rpm at RT free run <5Ncm @ 80 rpm and RT

Bill Of Materials	
Housing	PC
Lid	POM
Grease	Silicone Oil
One way System	SUS
Rotor (Outer and Inner)	POM
O-Ring Ø 12x1,5	NBR



Product Key

D02 003 01 030 - L



The official 2D drawing is the only valid technical documentation.
All the characteristics and dimensions written into this datasheet may in fact change and so will not be valid anymore.

All products are 100% tested on the torque value.
Custom designs are also available