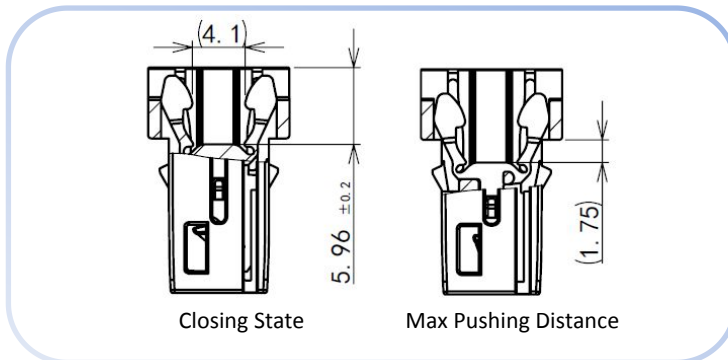
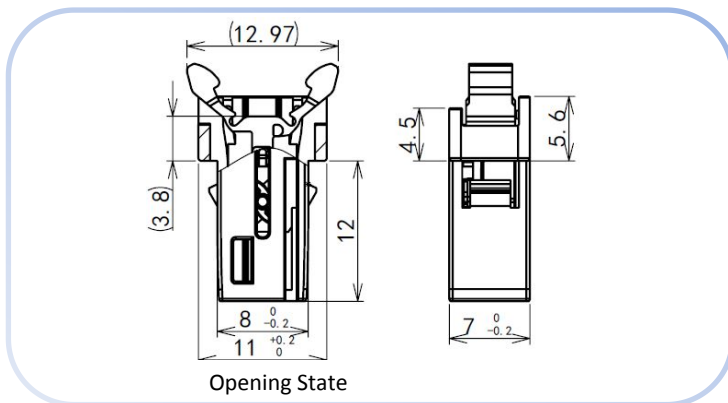
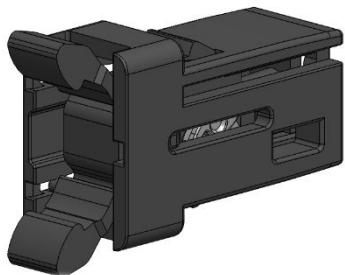
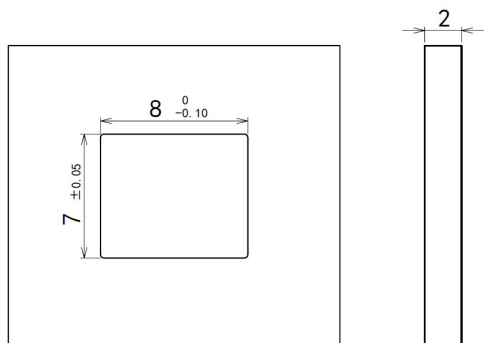
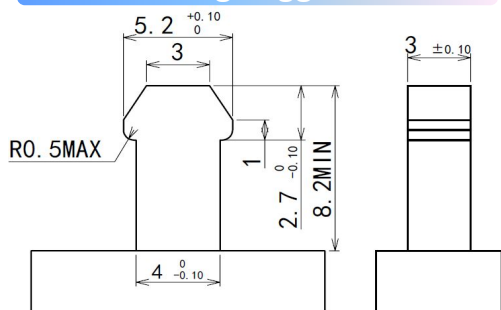


# L02001(Noiseless) Latch

## Product 3D drawing and three views



## Housing Suggestion



## Force Information

Force to lock & unlock	5N
------------------------	----

## Working Conditions

Temperature	-30~85°C
-------------	----------

Durability	30000 Cycles
------------	--------------

## Bill Of Material

Body	PC
Jaws	PA66
Spring	SUS
Cam	POM

## Application

